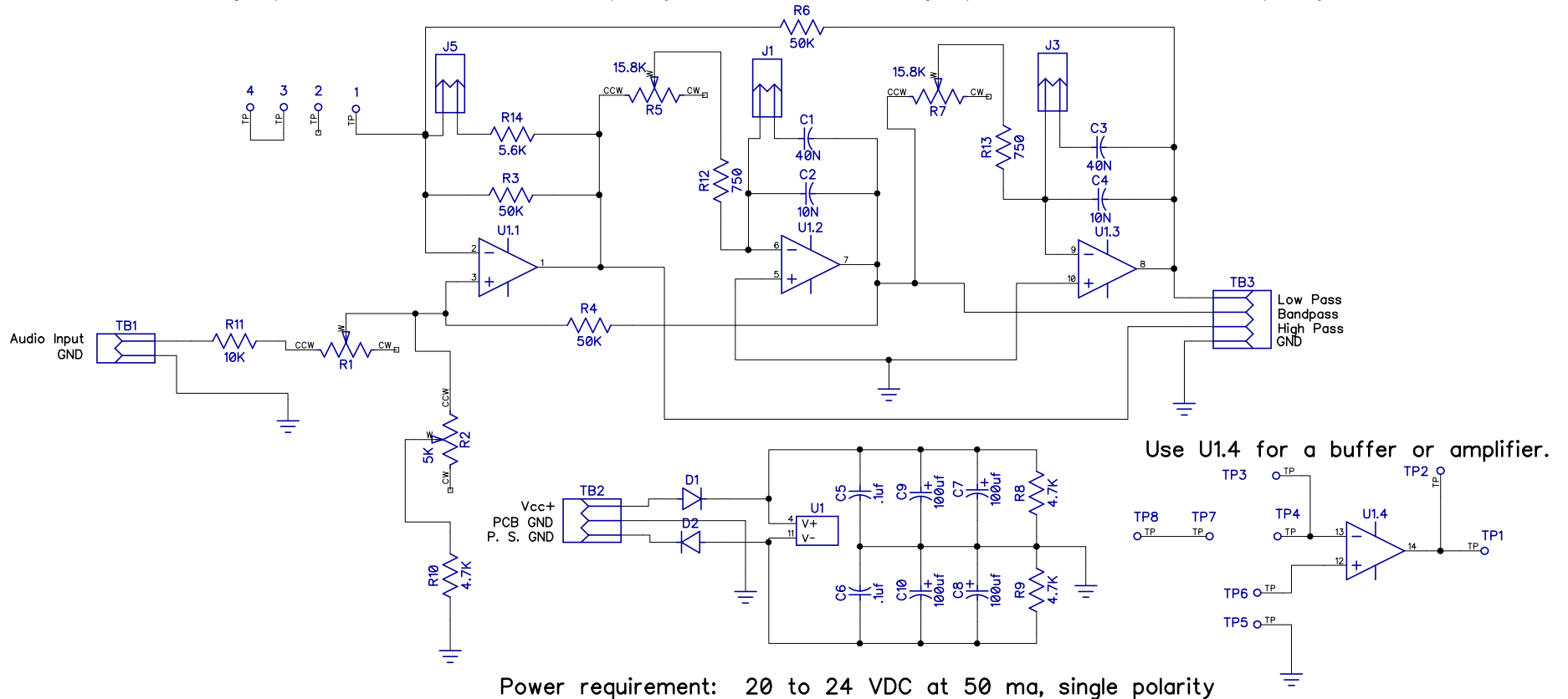


Insert jumpers J1 and J3 to lower frequency of filter and insert jumper J5 for extra low frequency.



Power requirement: 20 to 24 VDC at 50 ma, single polarity